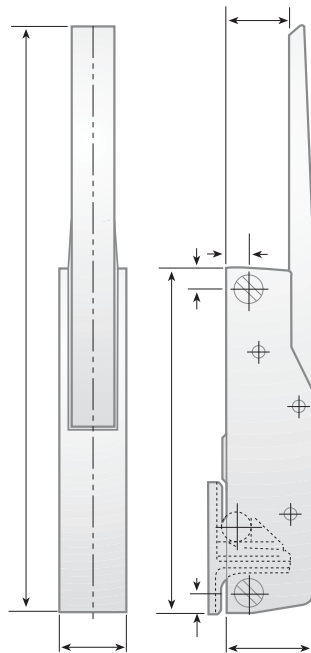


CIERRE 790 LATCH



Cierre y nariz
 Caja: Zamak 5 cromado brillo
 Maneta: Zamak 5 cromado brillo
 Rodillo latón
 4 Tornillos de Ø 5 mm.
 Fuerza de cierre: 15 Kgs.

Latch and strike
 Housing: Zamak 5 chrome plated
 Handle: Zamak 5 chrome plated
 With brass roller
 4 Screws of Ø 5 mm
 Fastening force: 15 kgs.



| 790 Sin llave / Without key | | | | CIERRE LATCH | 795 Con llave / With key | | | |
|-----------------------------|----------------|--|---------------------------------|-----------------|--------------------------|----------------|--|---------------------------------|
| Modelo Version | Código Code | Nariz Strike | Peso ^(gr.) Weight | | Modelo Version | Código Code | Nariz Strike | Peso ^(gr.) Weight |
| 790 | F10 0277 | Escuadra Zamak 5 epoxi negro Enameled zamak 5 square | 570 | | 795 | F10 0279 | Escuadra Zamak 5 epoxi negro Enameled zamak 5 square | 620 |