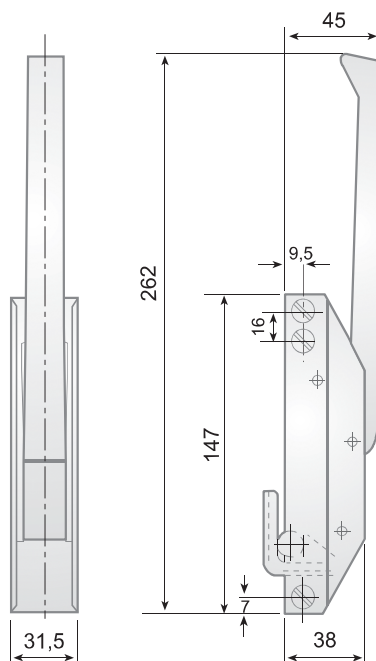


# CIERRE 690 LATCH



**Cierre y nariz**  
 Caja: Zamak 5 cromado brillo  
 Maneta: Zamak 5 cromado brillo  
 5 Tornillos de Ø 5 mm.  
 Fuerza de cierre: 15 Kgs.

**Latch and strike**  
 Housing: Zamak 5 chrome plated  
 Handle: Zamak 5 chrome plated  
 5 Screws of Ø 5 mm.  
 Fastening force: 15 Kgs.



## 690 Sin llave / Without key

| Modelo<br>Version | Código<br>Code | Nariz<br>Strike   | Peso <sup>(gr.)</sup><br>Weight |
|-------------------|----------------|---|---------------------------------|
| 690 A             | FI0 0205       |  A | 548                             |
| 690 C             | FI0 0207       |  C | 576                             |

# CIERRE LATCH

## 695 Con llave / With key

| Modelo<br>Version | Código<br>Code | Nariz<br>Strike   | Peso <sup>(gr.)</sup><br>Weight |
|-------------------|----------------|---|---------------------------------|
| 695 A             | FI0 0223       |  A | 582                             |
| 695 C             | FI0 0225       |  C | 608                             |